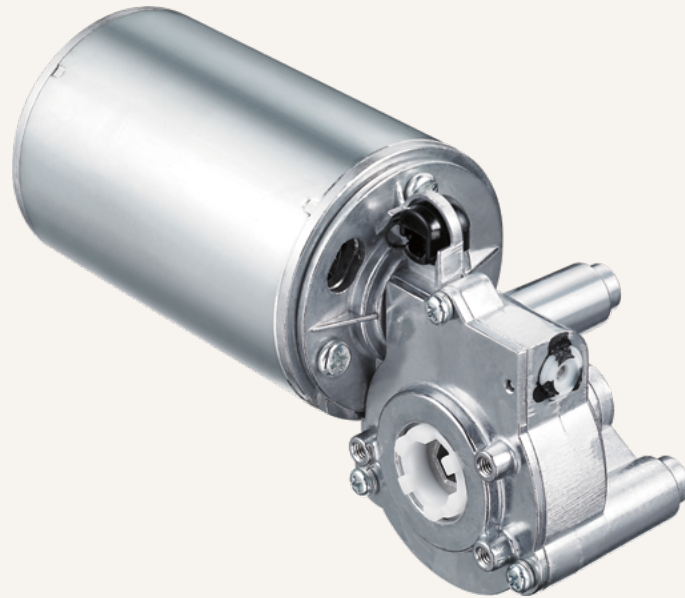


TGM2

series



Product Segments

- **Ergo Motion**
- **Industrial Motion**

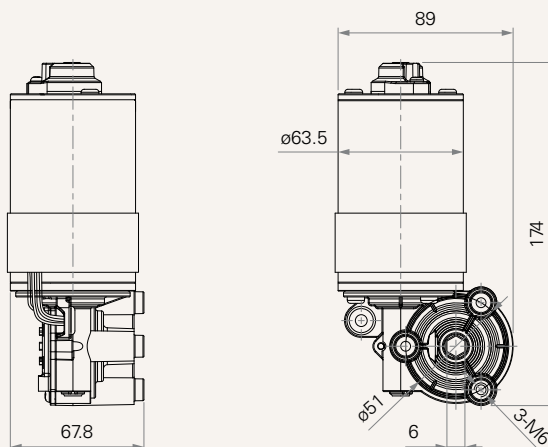
The TGM2 series is TiMOTION's most powerful gear motor. It was designed primarily for ergonomic applications like height adjustable workstations and tables, but can be used in many other applications. This economical product allows for fast, smooth and quiet adjustment of built-in spindles through the use of external limit switches. Shafting allows for the mechanical synchronization of dual spindles.

General Features

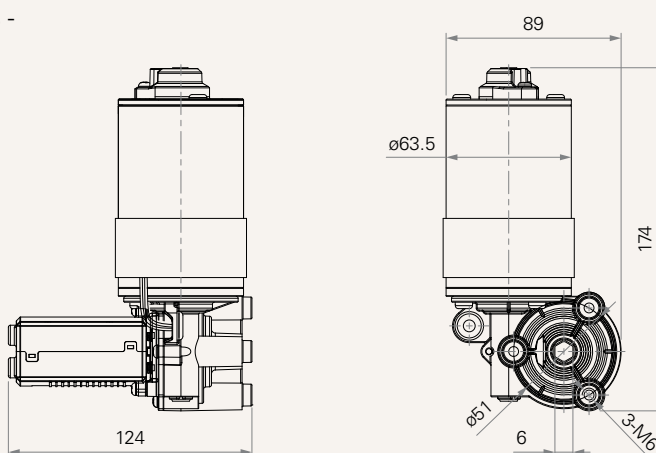
Max. rated torque	18.3Nm
Max. speed at max. load	60RPM (±5%)
Max. speed at no load	108RPM (±5%)
Output signals	Hall sensors
Options	Motor brake
Voltage	12V DC or 24V DC (thermal protector)
Low noise	

Drawing

Standard Dimensions -
Without TES2
(mm)



Standard Dimensions -
With TES2
(mm)



Load and Speed

CODE	Rated Voltage (V DC)	No Load		Rated Load			
		32V DC Current	RPM	Torque (Nm)	Current	RPM	Duty Cycle
Motor Speed (3800RPM)							
A	24	1.5	108	18.3	12.0	60	10%
Motor Speed (2200RPM)							
B	24	1.0	60	12.0	4.3	28	10%

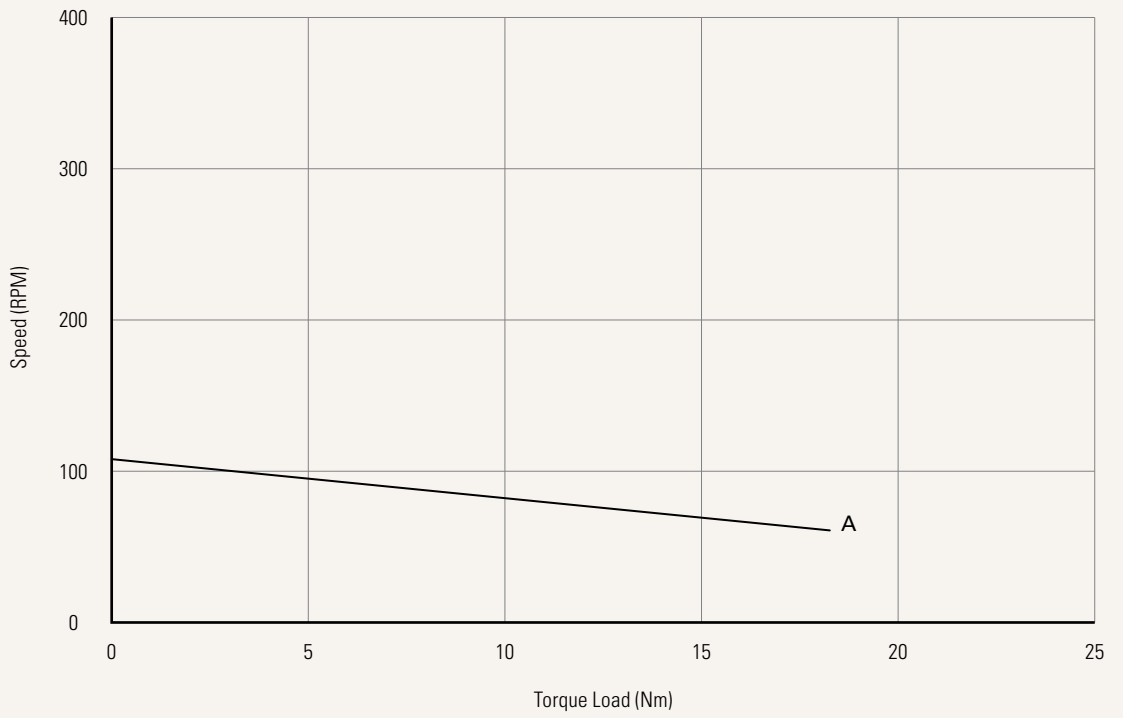
Note

- 1 Please refer to the approved drawing for the final authentic value.
- 2 Operational temperature range at full performance: +5°C~+45°C
- 3 The current & speed in table and diagram are tested with TiMOTION control boxes, and there will be around 10% tolerance depending on different models of the control box. (Under no load condition, the voltage is around 32V DC. At rated load, the voltage output will be around 24V DC)

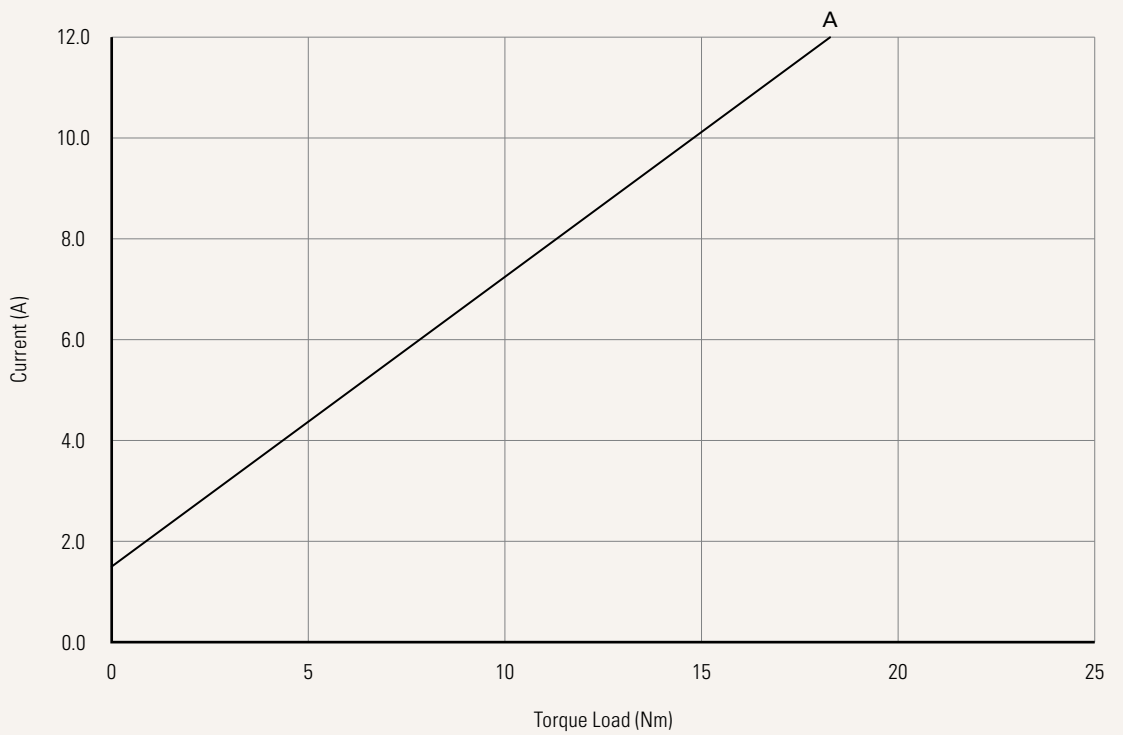
Performance Data (24V DC Motor)

Motor Speed (3800RPM)

Speed vs. Torque Load



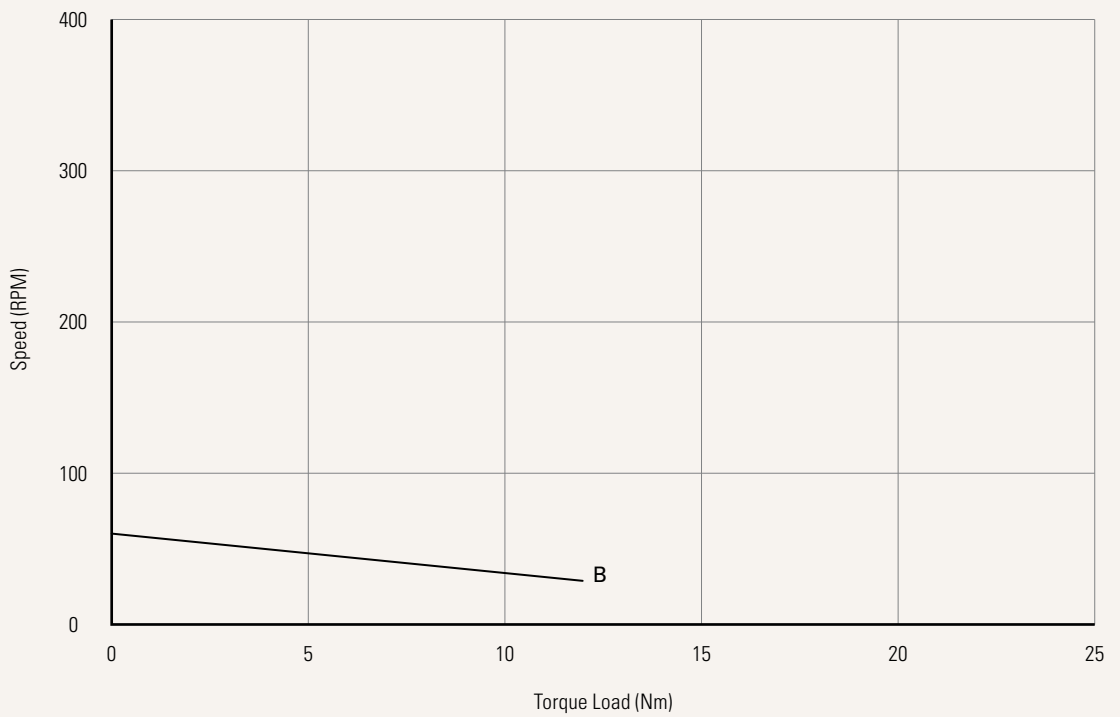
Current vs. Torque Load



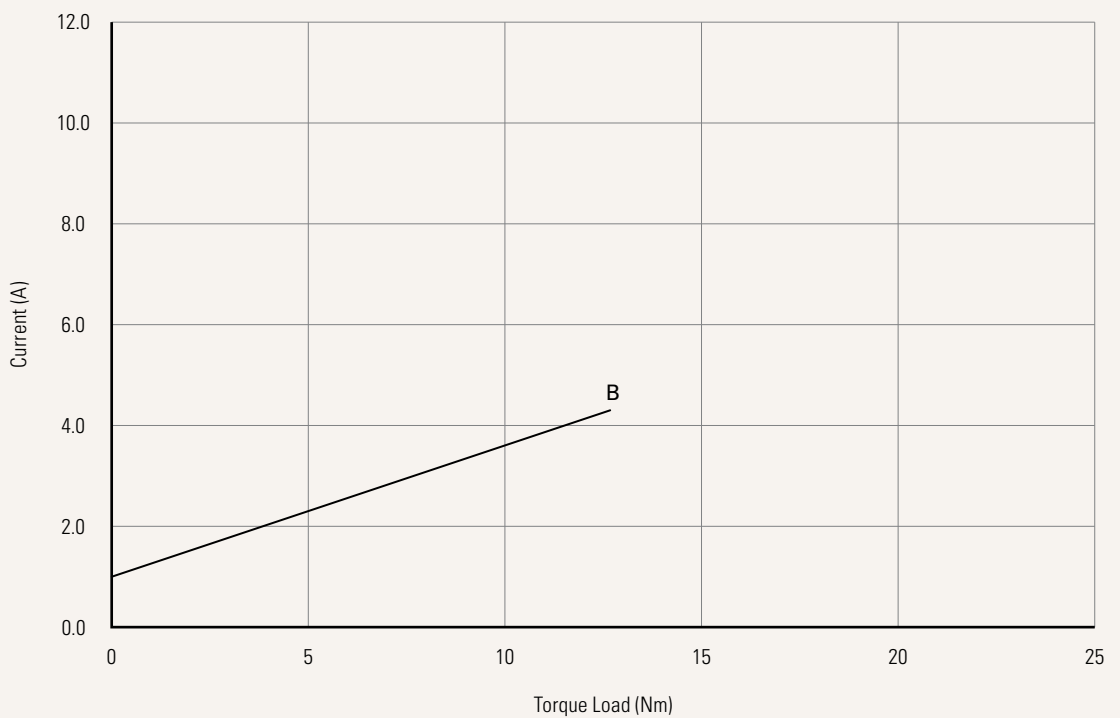
Performance Data (24V DC Motor)

Motor Speed (2200RPM)

Speed vs. Torque Load



Current vs. Torque Load



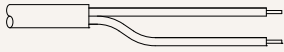
TGM2

Version: 20221219-N

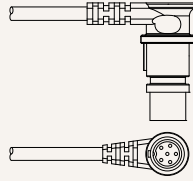
Voltage	1 = 12V	5 = 24V, thermal protector		
Load and Speed	See page 2			
Output Signal	0 = Without	2 = Hall sensor*2		
Brake	0 = Without	1 = Motor brake		
Plug See page 6	0 = Tinned leads	1 = DIN 6P, 90°	2 = Molex 8P	
Cable Length (mm)	0 = Straight, 1000	1 = Straight, 1500	2 = Straight, 2000	3 = Curly, 1000
Output Torque (mm) See page 6	1 = Drive shaft hole (inner hexagon 9)		4 = Two sides drive shaft (Ø12, with Ø4.8 latch hole)	
	2 = One side drive shaft (Ø12, knurling)		5 = Drive shaft hole (inner hexagon 6)	
	3 = Two sides drive shaft (Ø12, knurling)			
External Limit Switch (TES2)	00 = Without			
	XX = Number of output rotations (between 13~17 & 25~35 rotations, factory preset)			

Plug

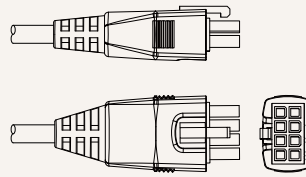
0 = Tinned leads



1 = DIN 6P, 90°

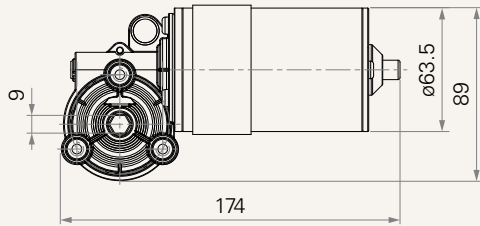


2 = Molex 8P

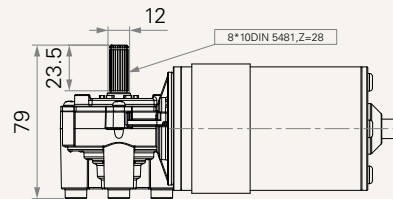


Output Torque

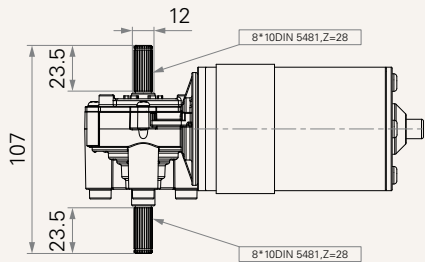
1 = Drive shaft hole (inner hexagon 9mm)



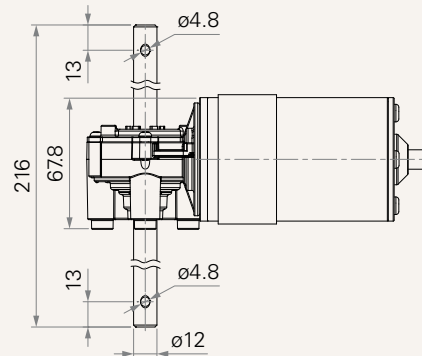
2 = One side drive shaft (Ø12mm, knurling)



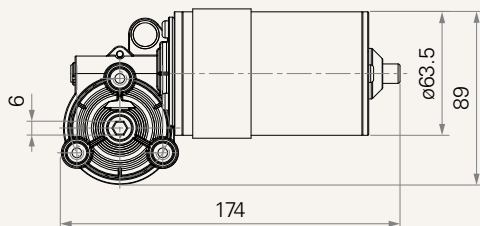
3 = Two sides drive shaft (Ø12mm, knurling)



4 = Two sides drive shaft (Ø12mm, with Ø4.8mm latch hole)



5 = Drive shaft hole (inner hexagon 6mm)



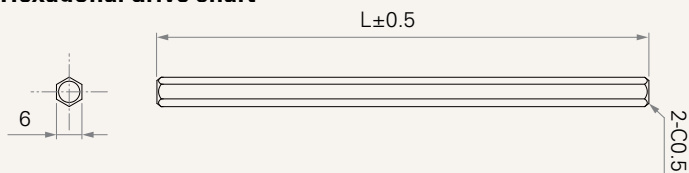
TBS Series - the combination of TGM and TBS

TBS	Input Torque	TGM				
		TGM1	TGM2	TGM3	TGM4	TGM7
TBS1	#1	V	V	V	V	-
TBS2	#1	-	-	-	-	V
TBS3	#1	-	-	-	-	V
TBS4	#1	V	V	V	V	-
TBS5	#1	V	V	V	V	-
TBS9	#1	V	V	V	V	-
TBS10	#1	V	V	V	V	-

Note

- 1 The combinations of TGM and TBS are marked as "v" on the above table.
- 2 When choosing the combination of TBS2 / 3 and TGM7, the hexagonal drive shaft is not required.
- 3 When choosing the combination of TBS1 / 4 / 5 / 9 / 10 and TGM1 / 3 / 4, the extra order of hexagonal drive shaft is needed.
- 4 Please refer to the table below for the serial numbers and the dimensions of the component.

Hexagonal drive shaft



CODE	L (mm)
32709-0101-175-1	175
32709-0101-200-1	200
32709-0101-270-1	270
32709-0101-375-1	375
32709-0101-470-1	470
32709-0101-570-1	570

Terms of Use

The user is responsible for determining the suitability of TiMOTION products for a specific application. TiMOTION products are subject to change without prior notice.