

TP8

series



Product Segments

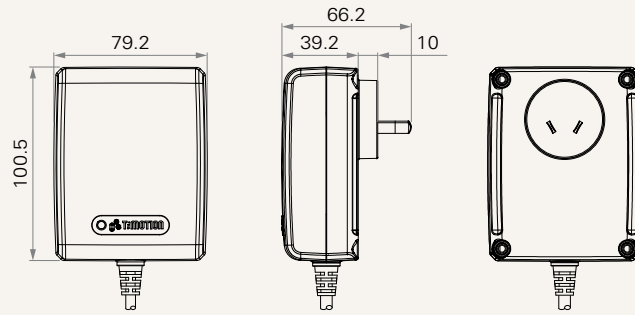
- **Care Motion**

General Features

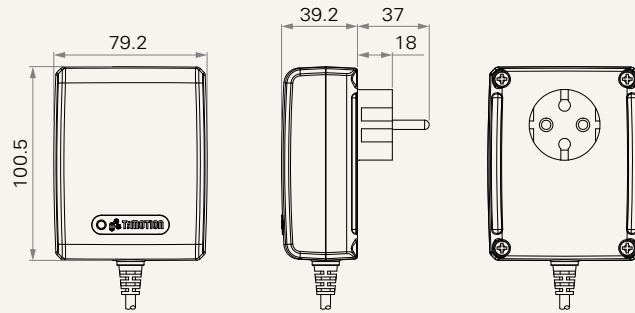
| | |
|-------------------------------|-------------------------------------|
| Transformer type | SMPS |
| Input voltage | 100~240V AC |
| Max. output | 29V DC, 6.25A |
| Plug support | EU, USA, AUS, UK |
| Color | Black or grey |
| IP rating | Up to IP66 |
| Certificate | IEC60601-1, ES60601-1, IEC60601-1-2 |
| Operational temperature range | +5°C~+45°C |
| Wall mount design | |

Drawing

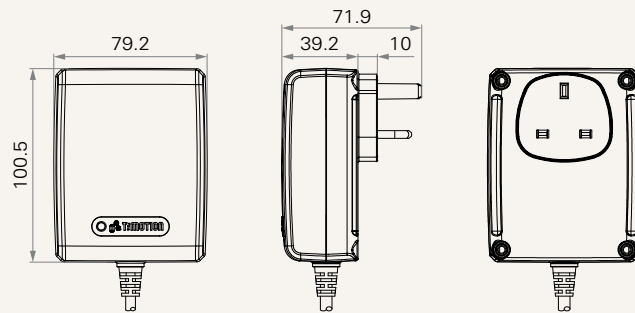
Dimensions with AUS Plug
(mm)



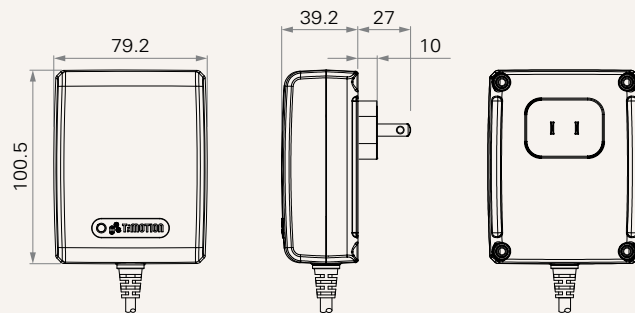
Dimensions with EU Plug
(mm)



Dimensions with UK Plug
(mm)



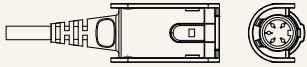
Dimensions with USA Plug
(mm)



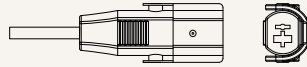
| | | | | |
|--|-----------------------------------|------------------|---|--------|
| Plug | 1 = EU | 2 = USA | 3 = AUS | 4 = UK |
| Color | 1 = Black | 2 = Pantone 428C | | |
| Cable Length and Connector (mm) See page 4 | 1 = Straight, 2000; DIN 5P Female | | 5 = Curly cable, 1450 (Curly cable length 250); DIN 5P Female | |
| | 2 = Straight, 2000; 01P Female | | | |
| | 3 = Straight, 4000; DIN 5P Female | | 6 = Curly cable, 1450 (Curly cable length 250); 01P Female | |
| | 4 = Straight, 4000; 01P Female | | | |
| IP Rating | 1 = Without | 2 = IP54 | 4 = IP66 | |

Cable Length and Connector (mm)

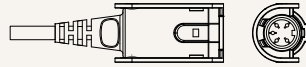
1 = Straight, 2000; DIN 5P Female



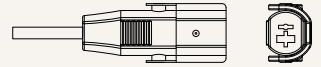
2 = Straight, 2000; 01P Female



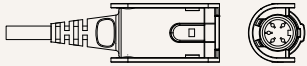
3 = Straight, 4000; DIN 5P Female



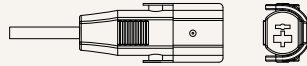
4 = Straight, 4000; 01P Female



5 = Curly cable, 1450 (Curly cable length 250); DIN 5P Female



6 = Curly cable, 1450 (Curly cable length 250); 01P Female



Terms of Use

The user is responsible for determining the suitability of TiMOTION products for a specific application. TiMOTION products are subject to change without prior notice.