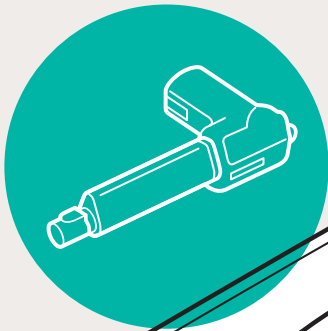


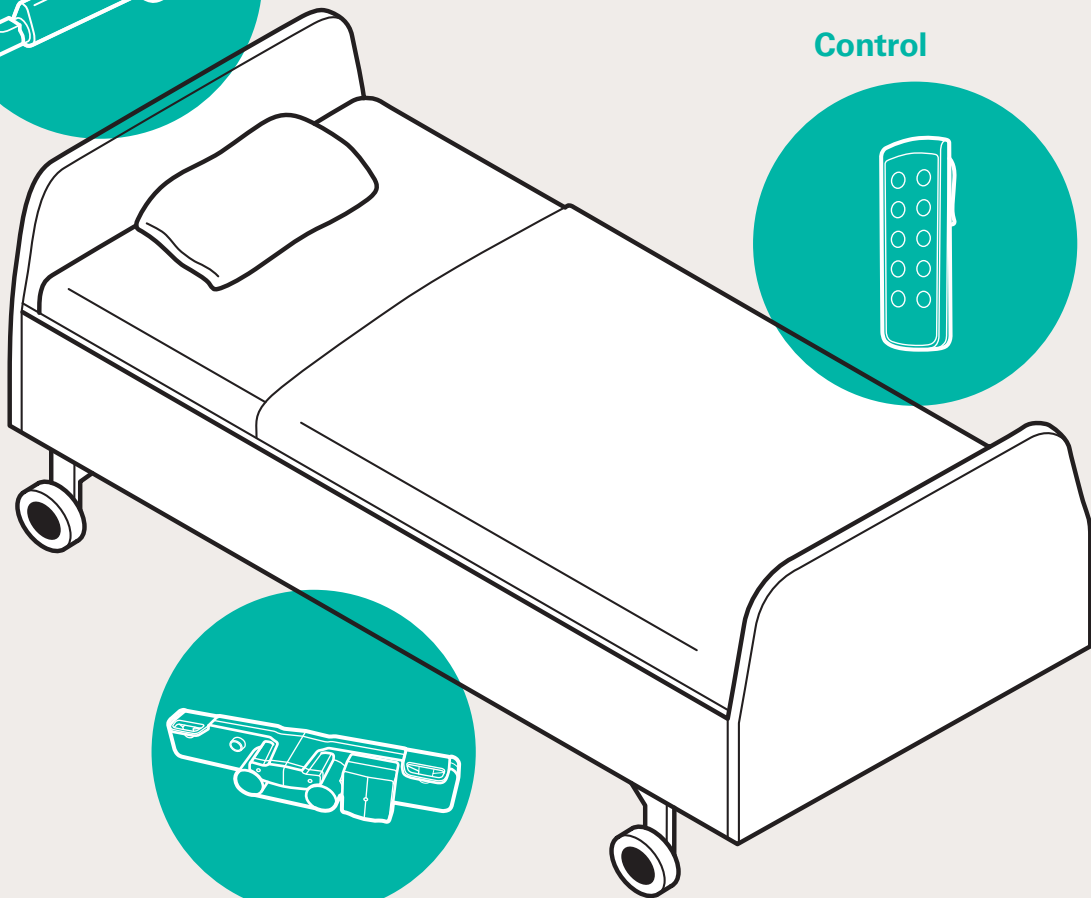
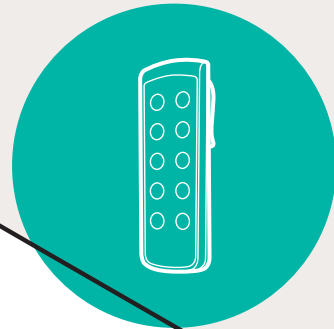
TWIN MOTOR SYSTEM for NURSING HOME BED APPLICATIONS

TiMOTION Provides Flexible,
Customized Products, and Tailor-made Solutions

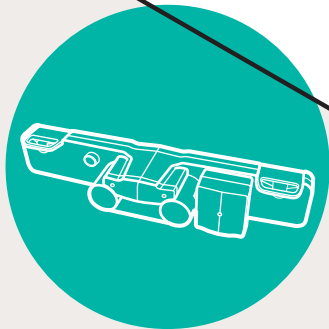
Actuator



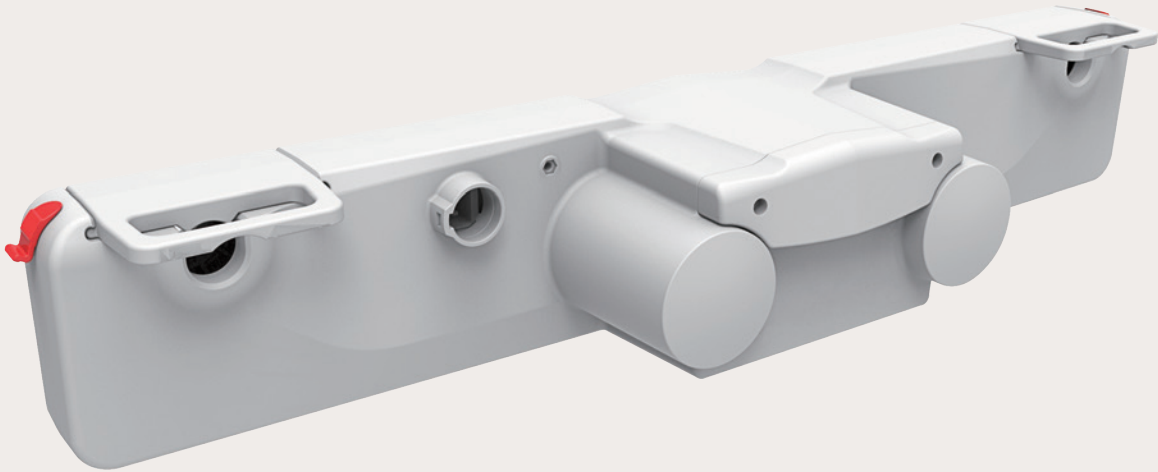
Control



Twin Motor



TT1-TWIN MOTOR

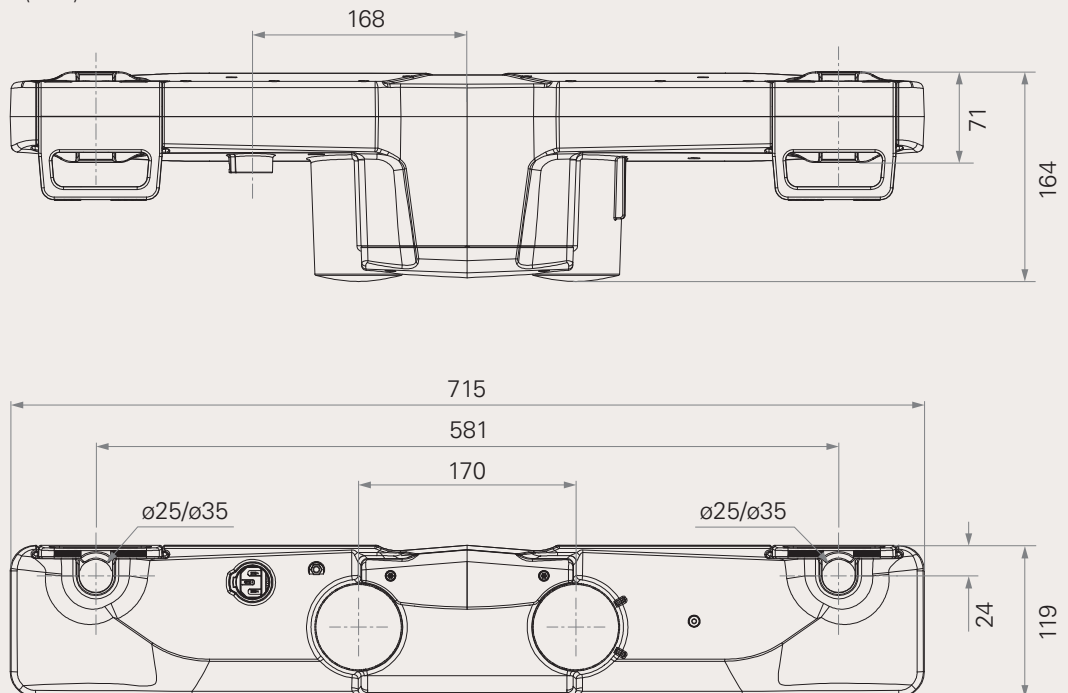


Cost-effective and Easy to Install

Our new and economical TT1 series twin spindle actuator is specifically designed for homecare and patient care facility beds. The TT1 electrical controls come standard with a range of voltages for use in multiple countries. The TT1 is equipped with SMPS and has standby power consumption. Its sophisticated housing design provides reliable mechanical stability as an alternative motor for a medical bed.

Drawing

Standard Dimension (mm)



TT1 Series

- Voltage: 100V AC, 100~240V AC
- Transformer type: SMPS (2.5A / 4A) or Toroidal (4A)
- Max. load: 6,000N (push)
- Dimension between shaft: 581mm
- Max. speed at max. load: 4.6mm/s
- Stroke: 87mm for backrest; 69mm for footrest
- Quick release option: handle or cable type
- Back-up battery option: 9V*3pcs battery or 1.2Ah rechargeable battery box

Load and Speed

CODE	Rated Load		Typical Current at Rated Load (A)	Typical Speed	
	PUSH N	PULL N		No Load (32V DC) mm/s	Rated Load (32V DC) mm/s
Motor Speed (2600RPM, Duty Cycle 10%)					
D	6000	0	3.5	5.2	3.5
Motor Speed (3400RPM, Duty Cycle 10%)					
B	6000	0	3.5	6.8	4.6

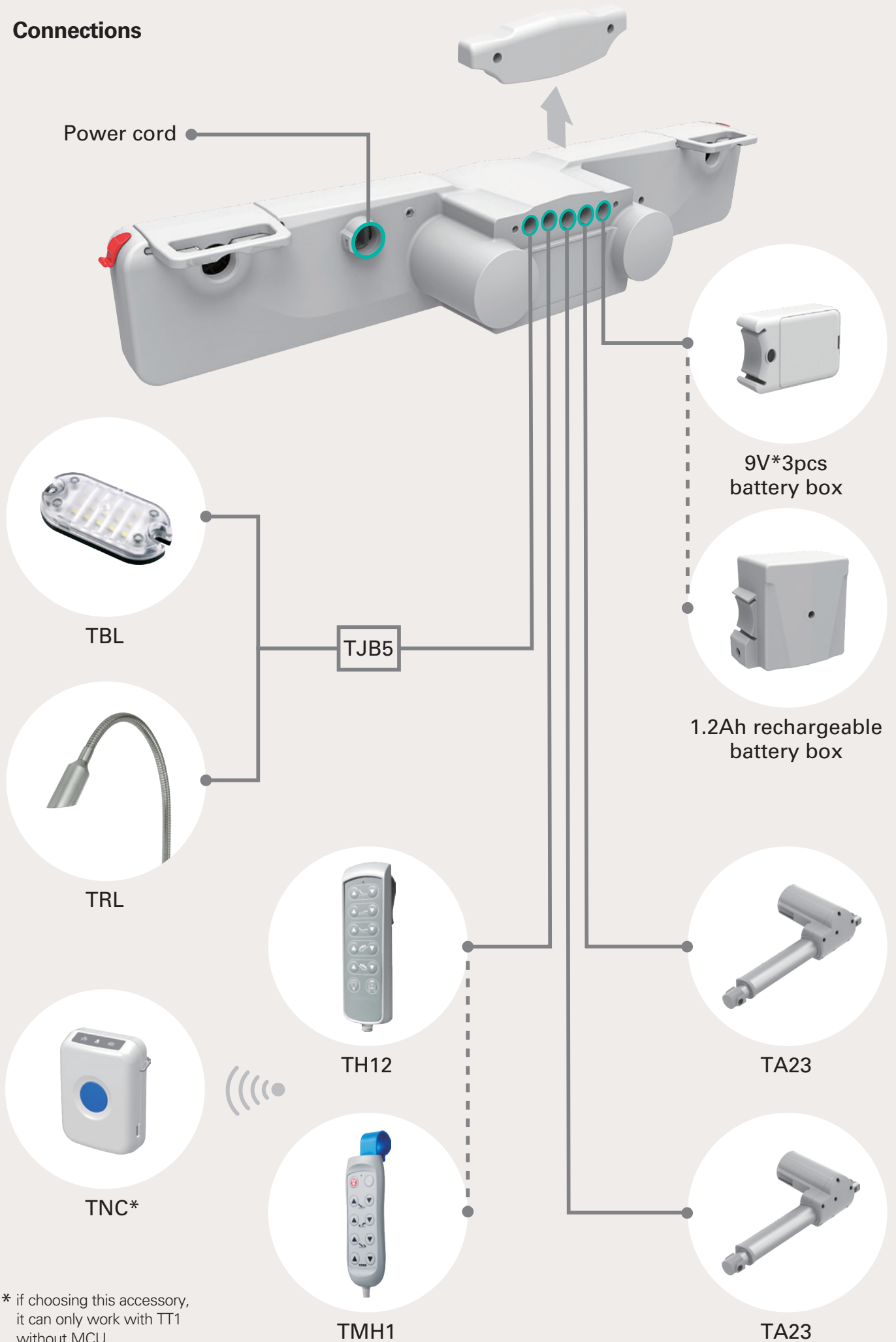
TT1 Ordering Key

TT1

Version: 20220117-L

<input type="checkbox"/>	Voltage	1 = 100V AC	4 = 100~240V AC
<input type="checkbox"/>	Motor	2 = 24V	
<input type="checkbox"/>	Load and Speed	See appendix	
<input type="checkbox"/>	Plug	1 = EU 2 = US	3 = AU 4 = UK 5 = JP
<input type="checkbox"/>	Axle Dimension	1 = \varnothing 25mm	2 = \varnothing 35mm
<input type="checkbox"/>	Stroke	1 = Back rest 87mm, leg rest 69mm	
<input type="checkbox"/>	Color	2 = Pantone 428C	
<input type="checkbox"/>	IP Rating	1 = Without	2 = IPX6
<input type="checkbox"/>	Quick Release	0 = Without	
<input type="checkbox"/>	Output Signal	0 = Without	
<input type="checkbox"/>	Extra Ports for Motors	0 = 0	1 = 1 2 = 2
<input type="checkbox"/>	Extra Ports for Handsets	1 = 1	2 = 2
<input type="checkbox"/>	Cable Length	2 = Straight, 4000mm	
<input type="checkbox"/>	Grounding	0 = Without	1 = With
<input type="checkbox"/>	Transformer	2 = SMPS (2.5A)	3 = Toroidal (4A) 4 = Toroidal (5A)
<input type="checkbox"/>	Back-up Battery	0 = Without	1 = 9V*3pcs battery box 2 = 1.2Ah rechargeable battery box

Connections



* if choosing this accessory, it can only work with TT1 without MCU.

Quick Release

· Handle Type

· Cable Type

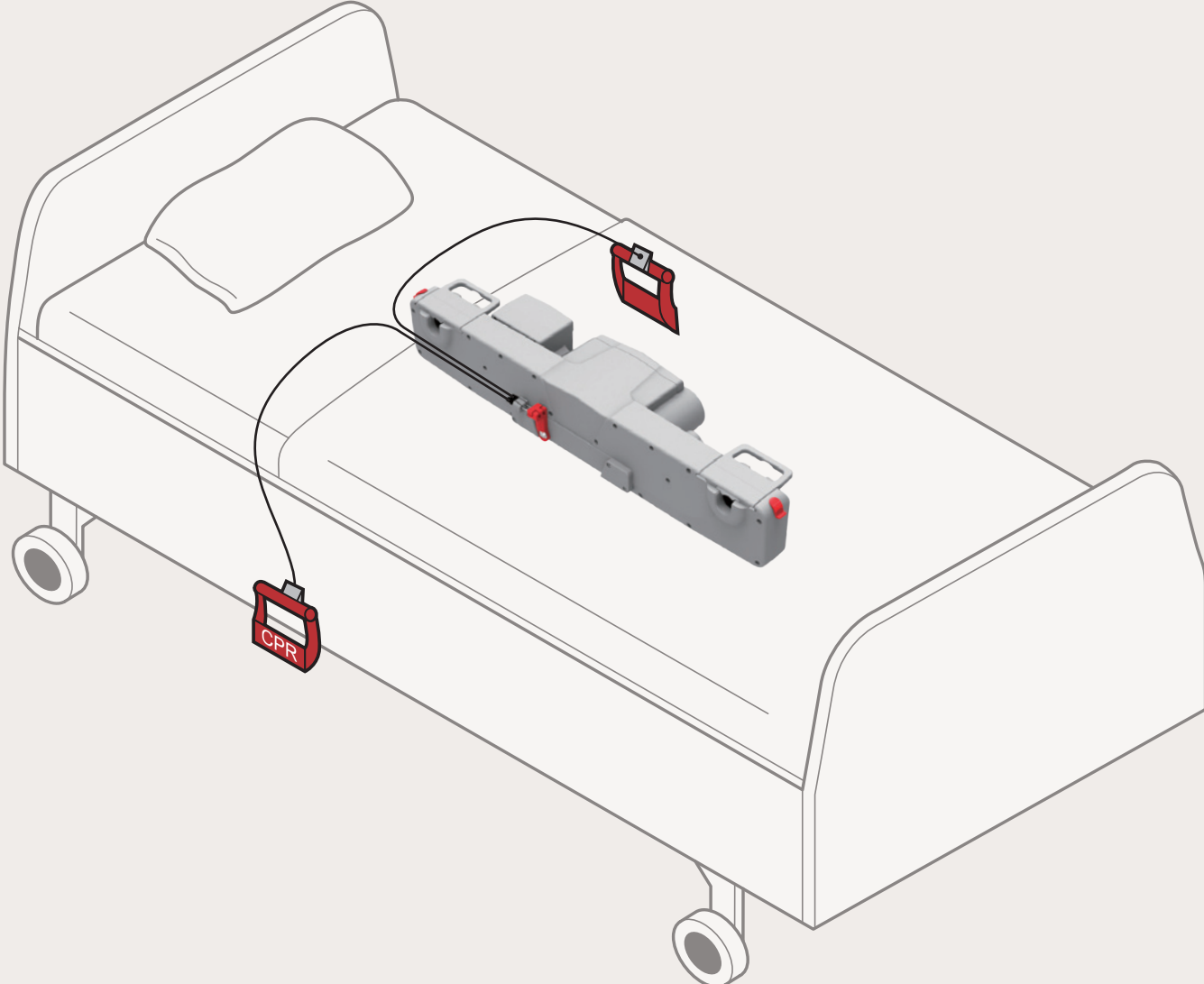
Lock

Release



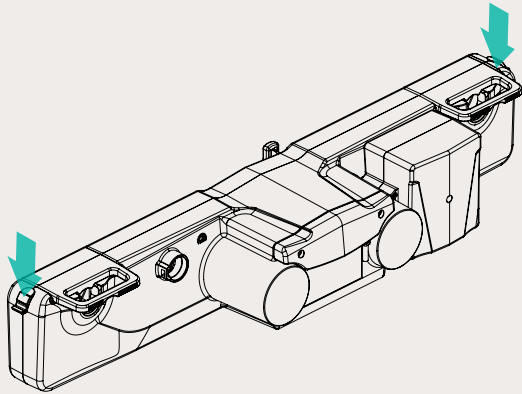
Lock

Release

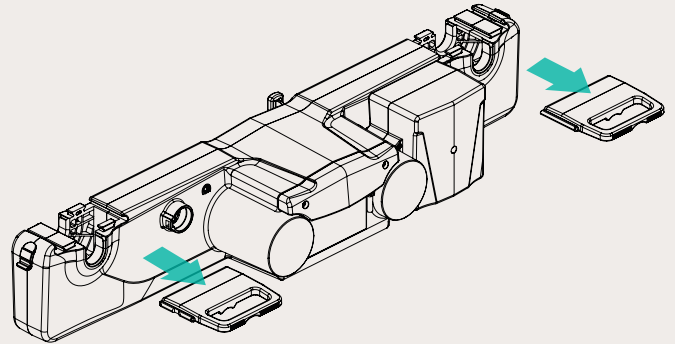


Installation Guide

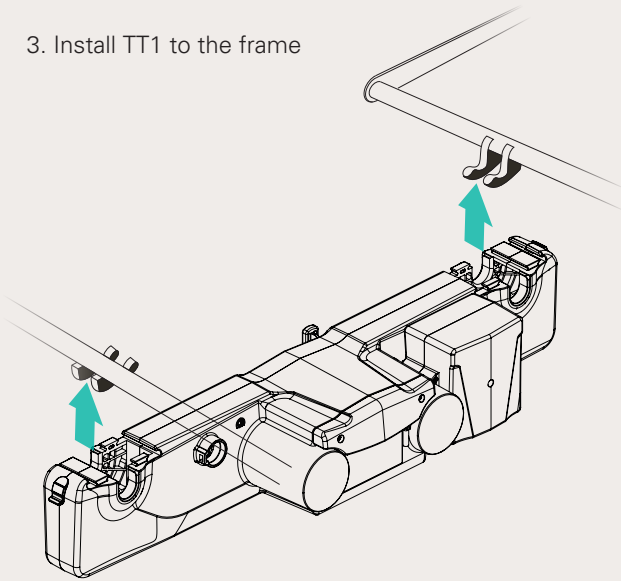
1. Unlock the safety lock and remove the fixed cap



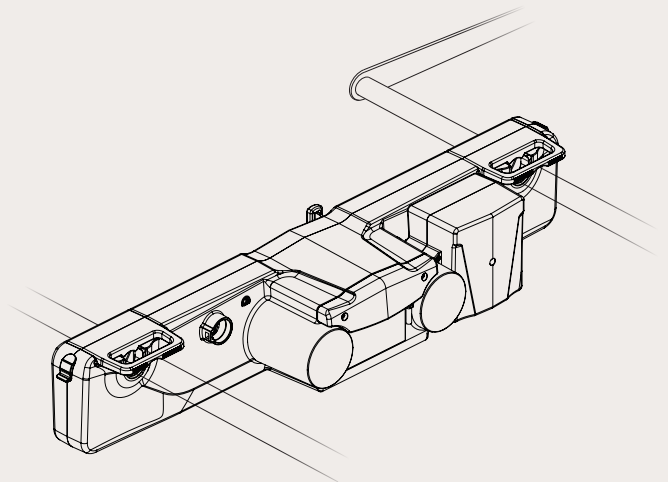
2. Remove the cover



3. Install TT1 to the frame



4. Reinstall the cover



Taiwan & China

Tel +886 2 2219 6633

Email sales.tw@timotion.com

Europe

Tel +33 (0)1 74 82 50 51

Email sales.eu@timotion.com

USA

Tel (704) 708 6924

Email sales.us@timotion.com

Australia

Tel +61 3 8725 0331

Email sales.tw@timotion.com

Japan

Tel +81 6 6713 1188

Email sales.jp@timotion.com

Korea

Tel +82 31 745 1060

Email sales@timotion.co.kr